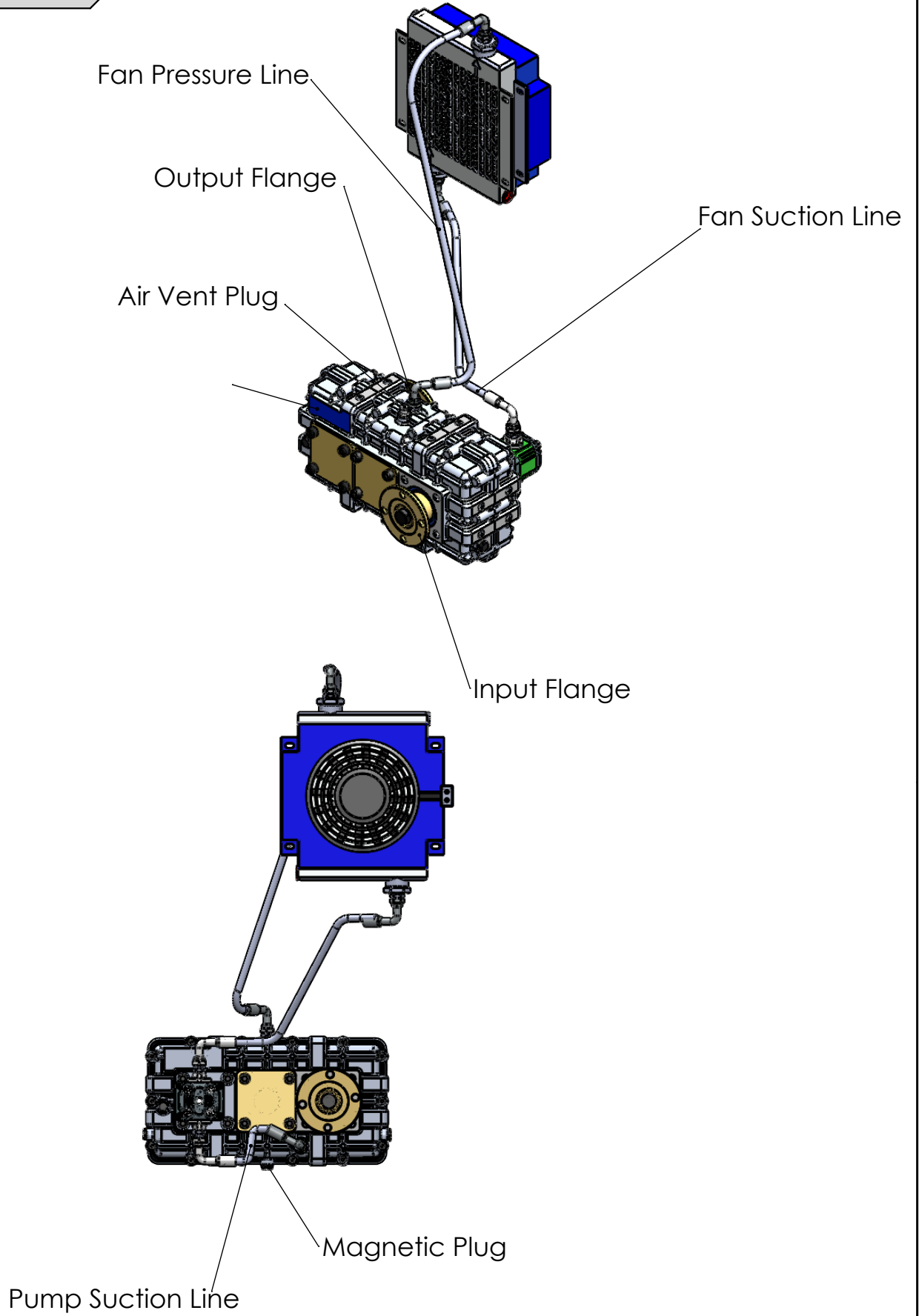


Ürün Kodu / Product Code

KRD.28.2

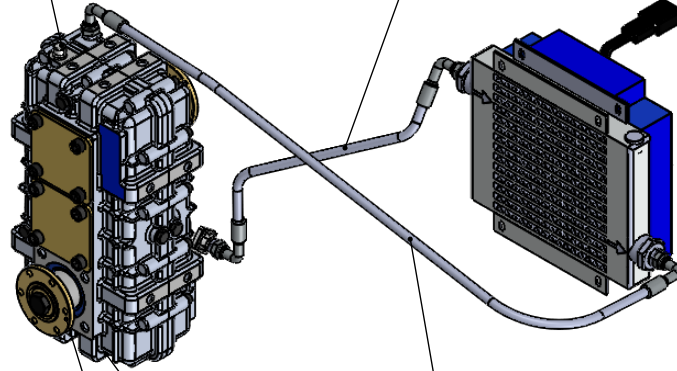
Horizontal Installation

Revizyon No-Tarih / Revision No- Date



Air Vent Plug

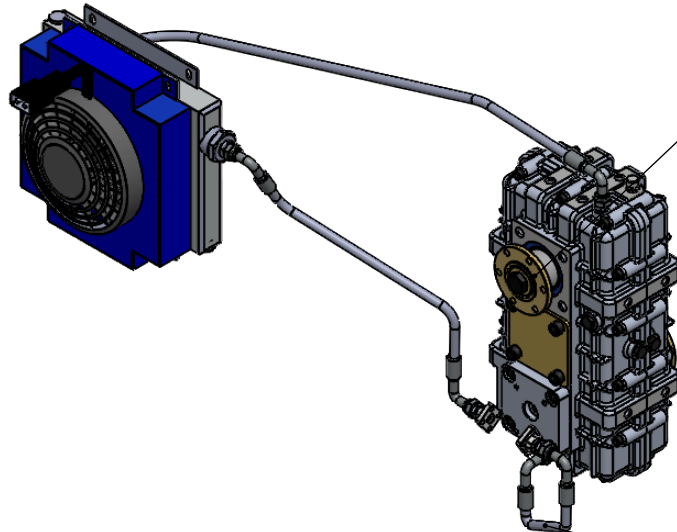
Fan Suction Line



Magnetic Plug

Input Flange

Fan Pressure Line



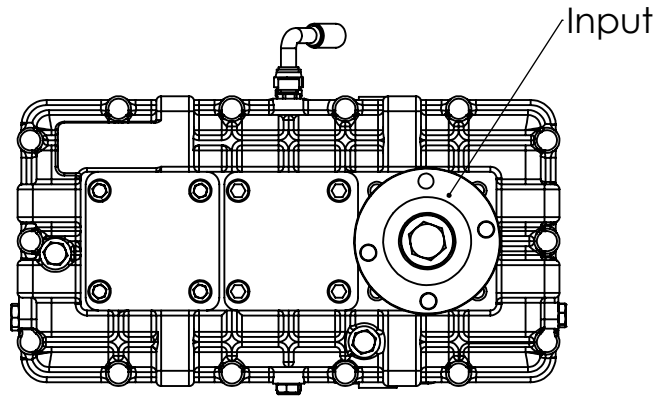
Output Flange

Pump Suction Line

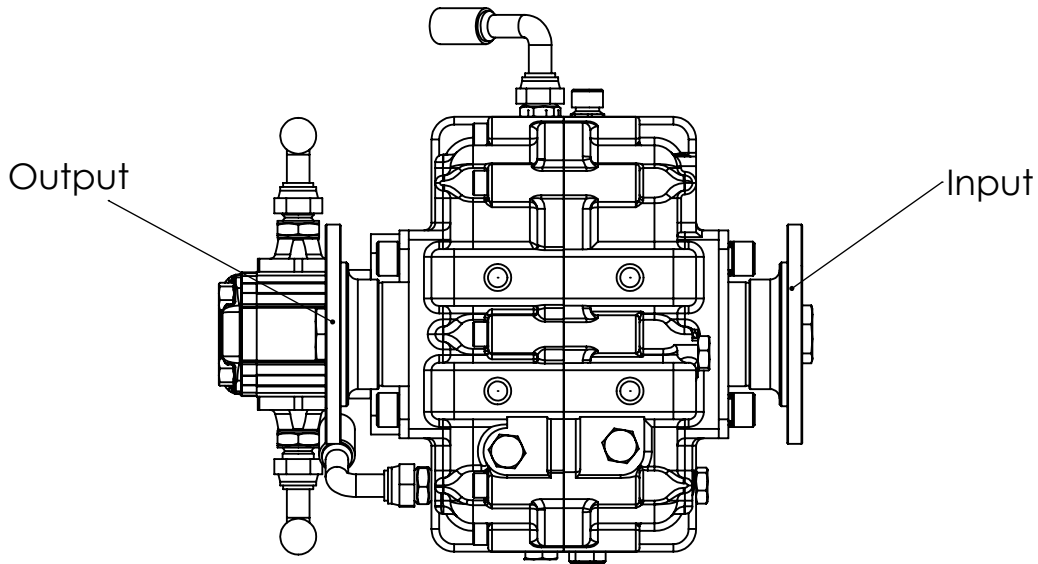
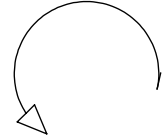
When product is mounted vertically;

- Air vent and blind plugs should be mount as shown above
- The pressure line to the product from the cooler to the product is replaced by the blind plug on the upper side of the blind plug as in the figure.
- The connection points of the pump suction line will change as shown in the figure.
- The magnetic plug will change its position to the bottom of the product

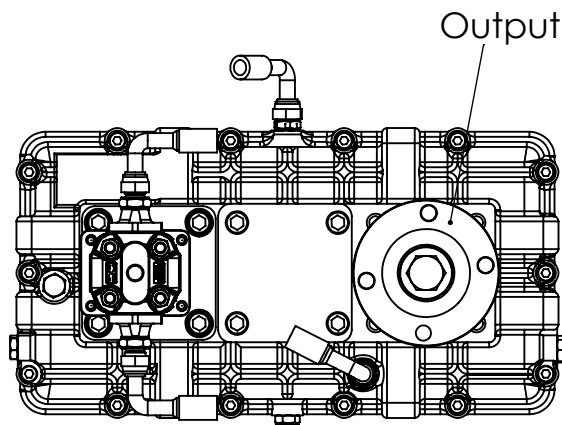
Looking from Input Side



Sense of Rotation:  
Counter-Clockwise



From looking Output Side



Sense of Rotation:  
Clockwise



Ürün Kodu / Product Code

Revizyon No-Tarih / Revision No- Date

